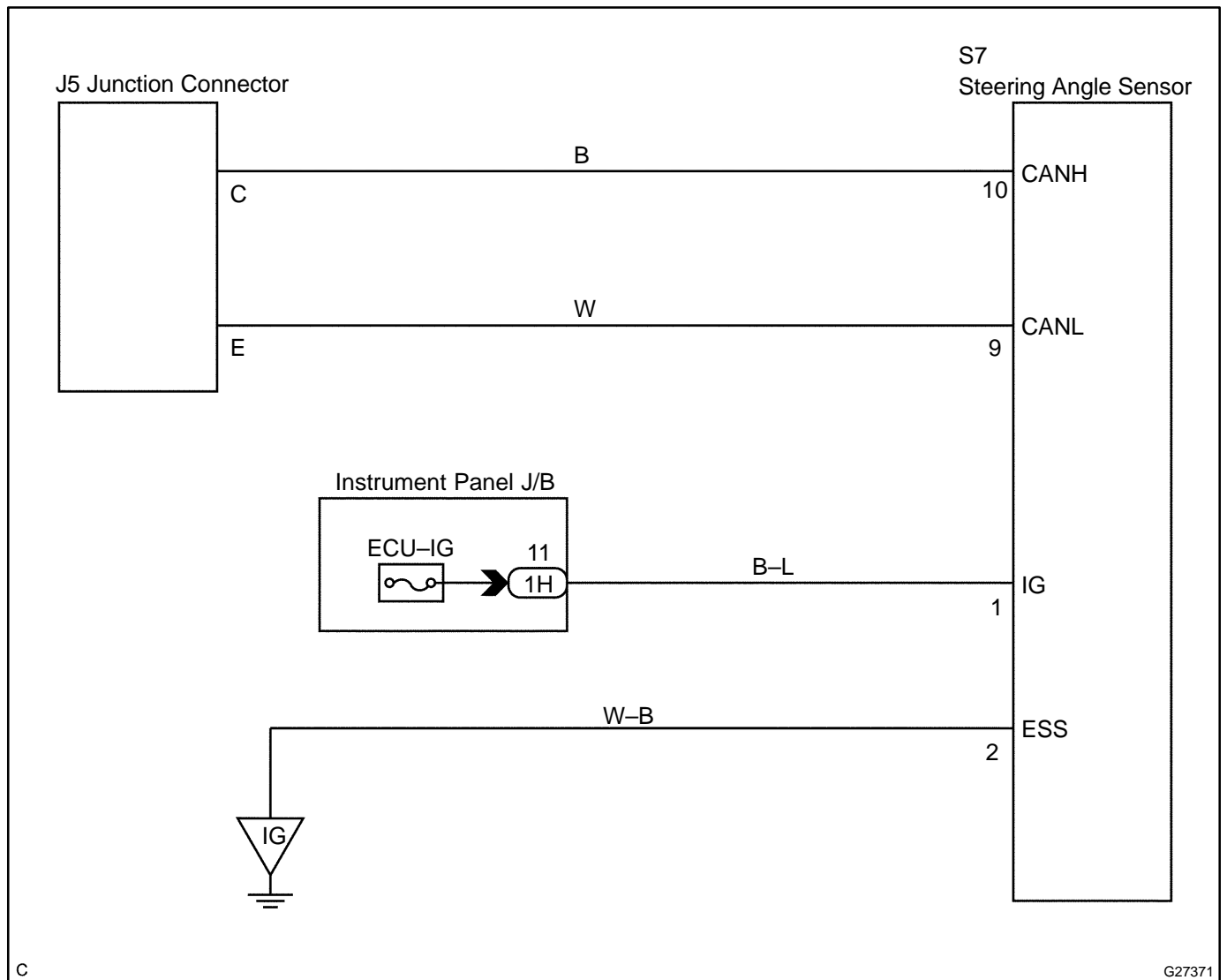


STEERING ANGLE SENSOR COMMUNICATION STOP MODE

CIRCUIT DESCRIPTION

DTC No.	DTC Detecting Condition	Trouble Area
U0126/63	<ul style="list-style-type: none"> When ECU terminal IG1 voltage is 9.5 V or more, data is not received from steering angle sensor for more than 1 sec. When ECU terminal IG1 voltage is 9.5 V or more, the data reception from steering angle sensor is impossible once or more within 5 sec., and it repeatedly occurs 10 times. 	<ul style="list-style-type: none"> CANL or CANH circuit Steering angle sensor Skid control ECU

WIRING DIAGRAM

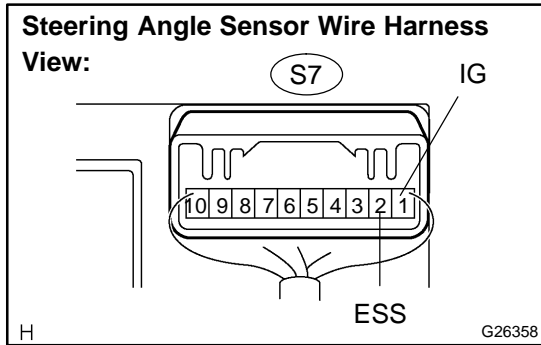


C

G27371

INSPECTION PROCEDURE

1 CHECK WIRE HARNESS AND CONNECTOR(IG, ESS)



- (a) Measure the resistance according to the value(s) in the table below.

Standard:

Tester connection	Condition	Specified condition
S7-2 (ESS) – Body ground	Always	Below 1 Ω

- (b) Measure the voltage according to the value(s) in the table below.

Standard:

Tester connection	Condition	Specified condition
S7-1 (IG) – Body ground	Ignition SW ON	10 to 14 V

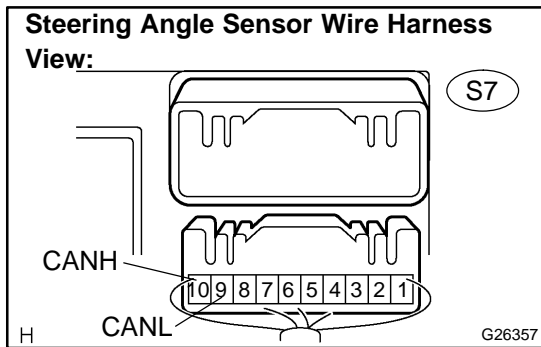
NOTICE:

Perform the measurement from the back of the connector with the connector being connected.

NG → REPAIR OR REPLACE WIRE HARNESS OR CONNECTOR

OK

2 CHECK CAN BUS LINE FOR DISCONNECTION(STEERING ANGLE SENSOR – JUNCTION CONNECTOR(J5))



- (a) Turn the ignition switch off.
 (b) Disconnect the steering angle sensor connector (S7).
 (c) Measure the resistance according to the value(s) in the table below.

Standard:

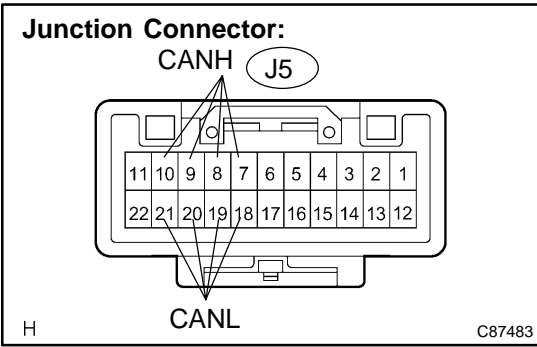
Tester connection	Condition	Specified condition
S7-10 (CANH) – S7-9 (CANL)	Ignition SW OFF	108 to 132 Ω

NG → Go to step 3

OK

REPLACE STEERING ANGLE SENSOR

3 INSPECT JUNCTION CONNECTOR(J5)



- (a) Disconnect the junction connector (J5).
- (b) Measure the resistance according to the value(s) in the table below.

Standard:

Tester connection	Condition	Specified condition
J5-8 (CANH) – J5-7 (CANH)	Ignition SW OFF	Below 1 Ω
J5-8 (CANH) – J5-9 (CANH)	Ignition SW OFF	Below 1 Ω
J5-8 (CANH) – J5-10 (CANH)	Ignition SW OFF	Below 1 Ω
J5-19 (CANL) – J5-18 (CANL)	Ignition SW OFF	Below 1 Ω
J5-19 (CANL) – J5-20 (CANL)	Ignition SW OFF	Below 1 Ω
J5-19 (CANL) – J5-21 (CANL)	Ignition SW OFF	Below 1 Ω

NG → **REPLACE JUNCTION CONNECTOR (J5)**

OK

REPAIR OR REPLACE CAN MAIN BUS LINE OR CONNECTOR (STEERING ANGLE SENSOR – JUNCTION CONNECTOR (J5))