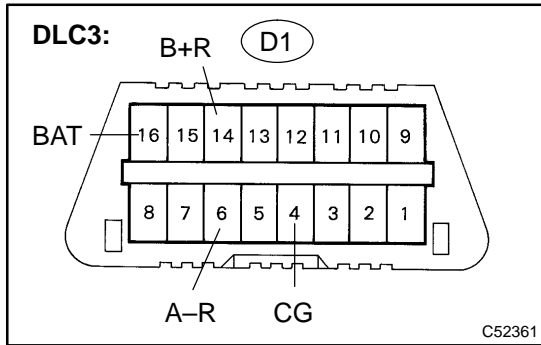


# TERMINALS OF ECU

HINT:

This section describes the standard CAN values for all CAN related components.



## 1. DLC3

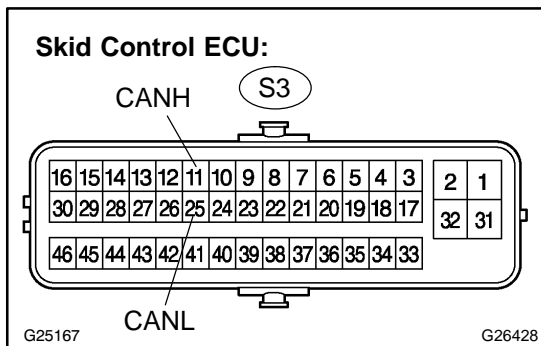
(a) Terminals.

HINT:

To inspect value(s).

### Standard:

Tester connection	Check item	Condition	Specified condition
D1-6 (A-R) - D1-14 (B+R)	Resistance	IG switch OFF	54 to 67 Ω
D1-6 (A-R) - D1-4 (CG)	Resistance	IG switch OFF	3 kΩ or higher
D1-14 (B+R) - D1-4 (CG)	Resistance	IG switch OFF	3 kΩ or higher
D1-6 (A-R) - D1-16 (BAT)	Resistance	IG switch OFF	10 kΩ or higher
D1-14 (B+R) - D1-16 (BAT)	Resistance	IG switch OFF	10 kΩ or higher



## 2. SKID CONTROL ECU

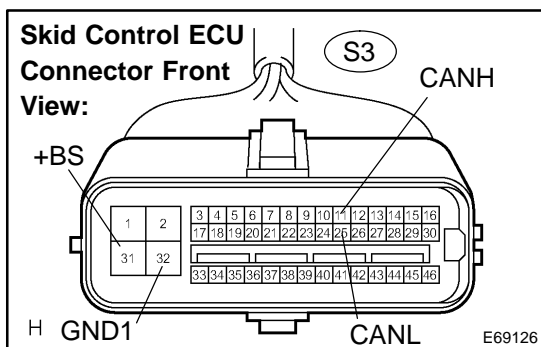
(a) Terminals (skid control ECU).

HINT:

To inspect value(s).

### Standard:

Tester connection	Check item	Condition	Specified condition
S3-11 (CANH) - S3-25 (CANL)	Resistance	IG switch OFF	108 to 132 Ω



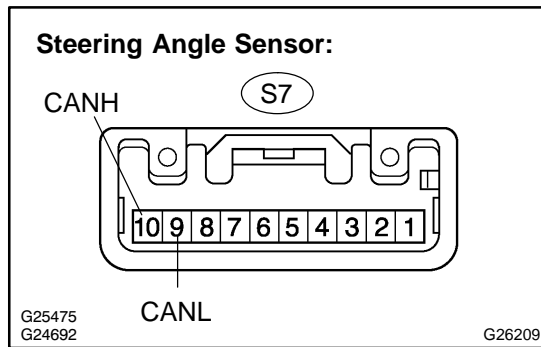
(b) Terminals (skid control ECU vehicle side harness connector).

HINT:

To inspect value(s).

### Standard:

Tester connection	Wiring Color	Check item	Condition	Specified condition
S3-11 (CANH) - S3-25 (CANL)	B - W	Resistance	IG switch OFF	108 to 132 Ω
S3-11 (CANH) - S3-32 (GND1)	B - W-B	Resistance	IG switch OFF	3 kΩ or higher
S3-25 (CANL) - S3-32 (GND1)	W - W-B	Resistance	IG switch OFF	3 kΩ or higher
S3-11 (CANH) - S3-31 (+BS)	B - B	Resistance	IG switch OFF	10 kΩ or higher
S3-25 (CANL) - S3-31 (+BS)	W - B	Resistance	IG switch OFF	10 kΩ or higher



**3. STEERING ANGLE SENSOR**

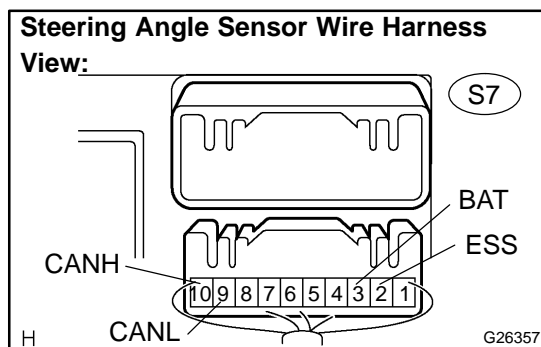
(a) Terminals (steering angle sensor).

HINT:

To inspect value(s).

**Standard:**

Tester connection	Check item	Condition	Specified condition
S7-10 (CANH) - S7-9 (CANL)	Resistance	IG switch OFF	108 to 132 Ω



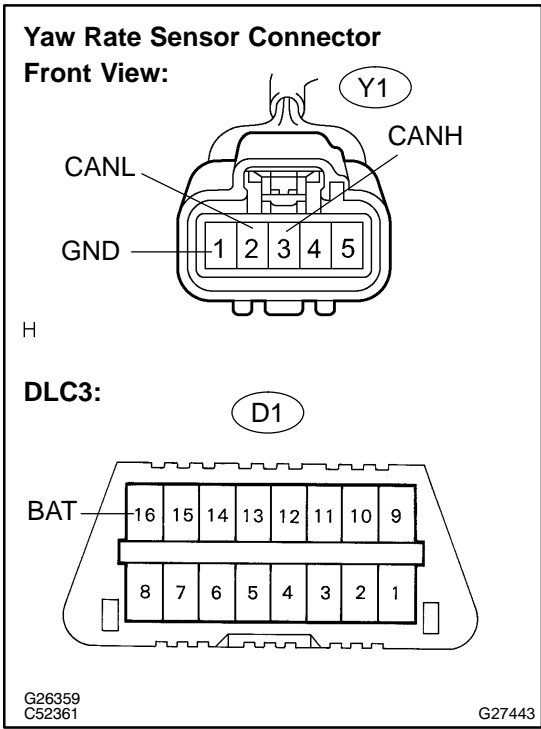
(b) Terminals (steering angle sensor vehicle side harness connector).

HINT:

To inspect value(s).

**Standard:**

Tester connection	Wiring Color	Check item	Condition	Specified condition
S7-10 (CANH) - S7-9 (CANL)	B - W	Resistance	IG switch OFF	108 to 132 Ω
S7-10 (CANH) - S7-2 (ESS)	B - W-B	Resistance	IG switch OFF	3 kΩ or higher
S7-9 (CANL) - S7-2 (ESS)	W - W-B	Resistance	IG switch OFF	3 kΩ or higher
S7-10 (CANH) - S7-3 (BAT)	B - W-R	Resistance	IG switch OFF	10 kΩ or higher
S7-9 (CANL) - S7-3 (BAT)	W - W-R	Resistance	IG switch OFF	10 kΩ or higher



**4. YAW RATE SENSOR**

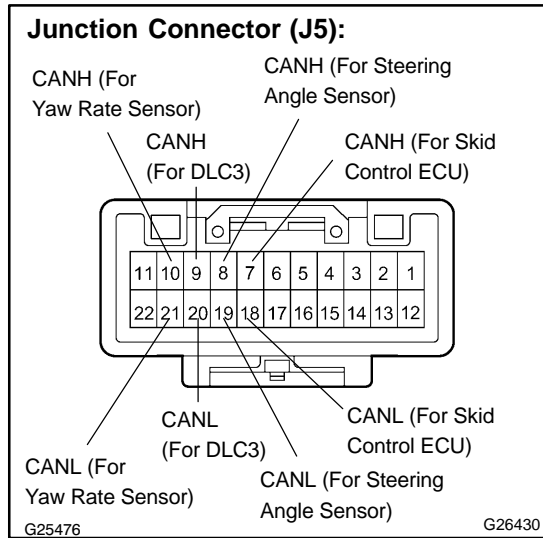
(a) Terminals.

HINT:

To inspect value(s).

**Standard:**

Tester connection	Wiring Color	Check item	Condition	Specified condition
Y1-3 (CANH) – Y1-2 (CANL)	B – W	Resistance	IG switch OFF	54 to 67 Ω
Y1-3 (CANH) – Y1-1 (GND)	B – W-B	Resistance	IG switch OFF	3 kΩ or higher
Y1-2 (CANL) – Y1-1 (GND)	W – W-B	Resistance	IG switch OFF	3 kΩ or higher
Y1-3 (CANH) – D1-16 (BAT)	B – W-R	Resistance	IG switch OFF	10 kΩ or higher
Y1-2 (CANL) – D1-16 (BAT)	W – W-R	Resistance	IG switch OFF	10 kΩ or higher



**5. JUNCTION CONNECTOR (J5)**

(a) Terminals.

HINT:

To inspect value(s).

**Standard:**

Tester connection	Check item	Condition	Specified condition
J5-7, 8, 9, 10 (CANH) – J5-18, 19, 20, 21 (CANL)	Resistance	IG switch OFF	10 kΩ or higher
J5-7 (CANH) – J5-8 (CANH)	Resistance	IG switch OFF	Below 1 Ω
J5-7 (CANH) – J5-9 (CANH)	Resistance	IG switch OFF	Below 1 Ω
J5-7 (CANH) – J5-10 (CANH)	Resistance	IG switch OFF	Below 1 Ω
J5-18 (CANL) – J5-19 (CANL)	Resistance	IG switch OFF	Below 1 Ω
J5-18 (CANL) – J5-20 (CANL)	Resistance	IG switch OFF	Below 1 Ω
J5-18 (CANL) – J5-21 (CANL)	Resistance	IG switch OFF	Below 1 Ω